

## Pizza Pan Racks

These racks are specially designed to adjust to your pan's needs. Will adjust to hold anything from a 10" pan through to a 16" pan.

**MATERIAL:**

- Framework is constructed of 1" x 1" x .070" wall tubing.
- Angle runners are 1 1/2" x 2 3/4" x .080" wall.

**CASTERS:**

- Equipped with four 5" stem type swivel casters.
- Uprights are reinforced to help prevent breakage.

**GUARANTEE:**

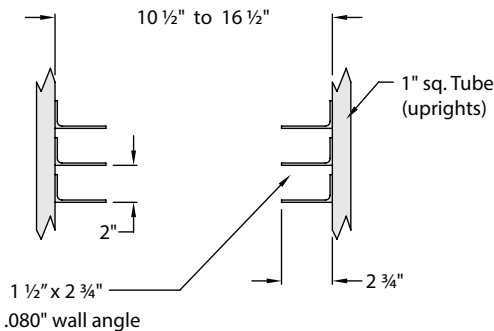
- **Lifetime Guarantee** against rust and corrosion.
- **Five-Year Guarantee** against workmanship and material defects.



NS590A

NS596A

NS599A



Rack is adjustable on 1" increments.



NS600A

NS603A

Model No.	Size W-H-D	Pan Cap.	Description	Runner Spacing	Ship Lbs.
NS590A	Adj. x 34 3/4" x 13 3/8"	13	1 Wide / 1 High	2"	23
NS599A	Adj. x 62 1/8" x 13 3/8"	26	1 Wide / 2 High	2"	44
NS603A	Adj. x 62 1/8" x 13 3/8"	52	2 Wide / 2 High	2"	86
NS596A	Adj. x 62 1/8" x 13 3/8"	78	3 Wide / 2 High	2"	122
NS600A	Adj. x 34 3/4" x 13 3/8"	26	2 Wide / 1 High	2"	48

Four 5" stem type swivel casters (#C480).  
 Adjustable widths in 1" increments to hold 10" through and including 16" pans.  
 Width inside uprights = 10 1/2" Minimum • 16 1/2" Maximum  
 Units ship knocked down for freight savings.

*This information is for general sales and engineering use only. New Age Industrial reserves the right to modify or make changes at any time without notice to materials and specifications.*

Made in the USA

Distributed by: